

The logo for VDO dayton is displayed in a stylized, glowing font. 'VDO' is in a bold, sans-serif font, followed by a circular emblem containing a lowercase 'd' with a star above it, and 'ayton' is in a lowercase, italicized sans-serif font. The entire logo is set against a dark background with a light glow effect.

VDO d^{*}ayton

TVA 5100

Mounting instruction

Manuel d'installation

Einbauanleitung

Inbouwhandleiding

Istruzioni d'installazione

Instrucciones de montaje

Monteringsanvisning

English

Français

Deutsch

Nederlands

Italiano

Español

Svenska

Dansk

Points to observe for safe usage

Read this manual carefully before starting operation and use this system safely. We can not be responsible for problems resulting from failure to observe the instructions in this manual.

This manual uses various pictorial displays to show how to use this product safely and to avoid harm to yourself and others and damage to your property. Here is what these pictorial displays mean. Understanding them is important for reading this manual.

Meaning of reference

WARNING

This label is intended to alert the user to the presence of important operating instructions.

Failure to heed the instructions will result in severe injury or death.

CAUTION

This label is intended to alert the user to the presence of important operating instructions.

Failure to heed the instructions can result in injury or material damage.

Cautions on installation

WARNING

This antenna is for vehicles with a 12-V DC power supply only. It cannot be used with 24-V vehicles without a suitable voltage converter.

Use of the antenna with these vehicles can result in fire or damage of the antenna.

Keep electrical cables together to avoid operating hazards.

Arrange wiring and cables in compliance with the installation manual to prevent obstruction when driving. Cables or wiring that obstructs or hangs up on places such as the steering wheel, gear lever, brake pedals can be extremely hazardous.

Do not install in locations which might hinder vehicle operation.

Do not install in locations which might create hazards for the vehicle occupants or hinder vehicle operation (such as the steering wheel or gear shift) by obstructing forward vision or hampering movement etc.

CAUTION

Use specified accessory parts and install them securely.

Be sure to use only the specified accessory parts. Use of other than designated parts may damage this unit internally or may not securely install the unit in place as parts that come loose can create hazards.

Make the correct connections.

Failure to make the correct connections can cause fire or accident to occur.

Arrange the wiring so it is not crimped or pinched.

Route the cables and wiring so as not be crimped by moving parts like seat rail or make contact with sharp or pointed spots which might damage the wiring.

Affix the antennas and mounting brackets securely.

If they come loose, an accident or injury to persons could result.

Usage precautions

- This double antenna is for the VDO Dayton TV tuner TV 5100 only. It cannot be connected to the car radio.
- Do not wipe the antenna or cables with alcohol, benzene, thinner, gasoline, or other volatile substance. This could deform or discolor the antenna or cable.

Scope of delivery

- 2 Antenna units
- 6 Cable clamps

Specifications

Frequency range	CH 1 to CH 12
(UHF)	CH 13 to CH 62
Booster gain	20 dB
Antenna cables	Coaxial
Antenna terminals	3.5 mm plug (75 ohms)
Impedance	Nominal 75 ohms
Supply voltage	DC 12 V
Power fuse	0.5 A
Power consumption	0.5 W or less
Size	appr. 45 x 14 x 450 (mm)
Cable length:	
Antenna cable	4 m
Power cable (POWER)	4 m
Earth cable (GROUND)	4 m

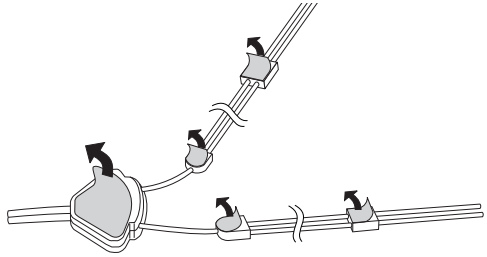
* These specifications and designs are subject to change without notice for improvement purposes.

Mounting precautions

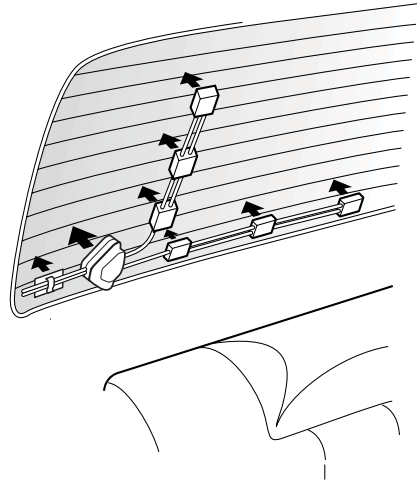
- Double-sided self-adhesive pads are used to mount the antenna units to the inside glass side of the rear windows. The self-adhesive pads cannot be re-affixed, and so make completely sure that the mounting location is correct.
- Do not mount the antenna units in a location obstructing the field of view during driving, such as the front window.
- Be sure to clean the glass where the antenna will be mounted. Failure to do so can not only reduce the adhesive strength of the self-adhesive pads, it could also cause the tape to peel off.
- The mounting temperature should be at least 15° Celsius to ensure the full adhesive strength of the self-adhesive pads.
- On rainy days and days with high humidity, the mounting work should be performed indoors. The adhesive strength of the self-adhesive pads is also reduced by high humidity.

Mounting procedure

- 1) Check that the mounting location for the antenna units is correct. Use glass cleaner to wipe off any oil residue or stains where the antenna will be mounted. Then, clean the location with water and wipe dry.
- 2) Peel off the backing paper from the antenna parts and antenna unit.



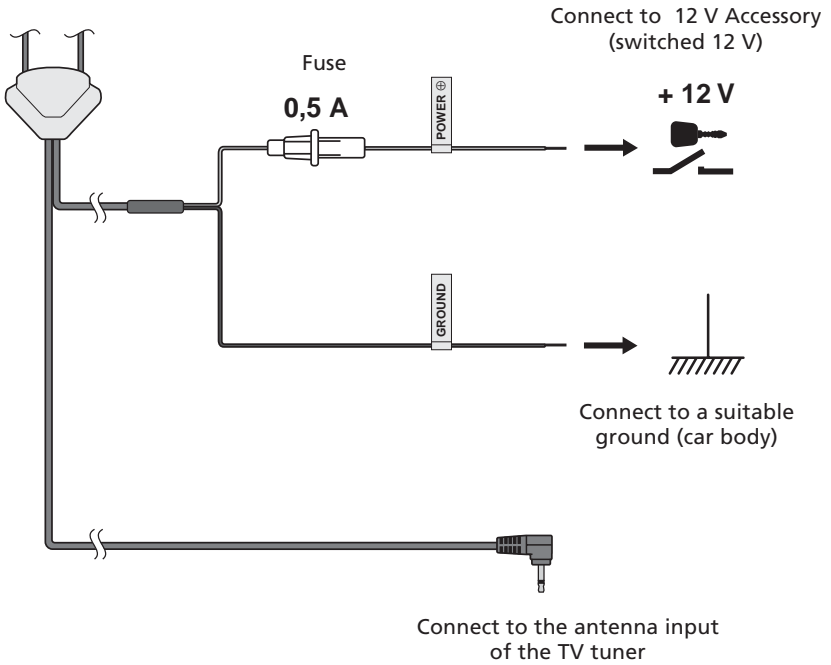
- 3) Adhere the self-adhesive pads of the antenna parts to the window. Press from the top so that it adheres firmly. If necessary, use the supplied clamps to secure the cables in place.



- 4) After adhering the self-adhesive pads, let it set for at least 24 hours. During this time, be careful not to expose the antenna to water or apply pressure on the antenna.
- 5) Connect the antenna cables to the car TV tuner.

Connections

The cables of both antenna units are connected as shown below.



Hotline

For answers and questions concerning VDO Dayton Multimedia Systems there is a Hotline available in many countries.

GB 0121 344 5400

AUS 1 800 335 282 Toll Free or (03) 94503166

Subject to technical modifications and errors.

